



Aluminum Foam RAL Color Customized Glasswool Exterior Wall Sandwich Panel 64kg/M3 Density

Our Product Introduction

for more products please visit us on baodupanel.com

Basic Information

- Place of Origin: Hebei,China
- Brand Name: BAODU
- Certification: CE
- Model Number: Glasswool Sandwich Panel
- Minimum Order Quantity: Discussible
- Price: Reasonable
- Packaging Details: In general, for steel structure , we use the steel frame packing to keep goods not to be broken . For sandwich panel and color steel sheet, we use the plastic packing . If the clients need special packing will according to their requirements.
- Delivery Time: 15days
- Payment Terms: L/C, D/A, D/P, T/T, Western Union, MoneyGram
- Supply Ability: 5000 Square Meters per Day

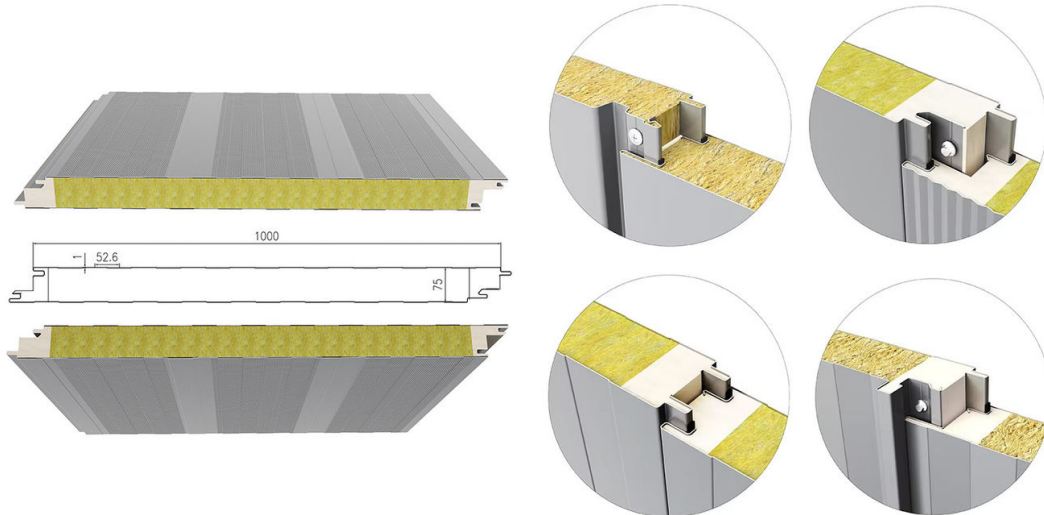


Product Specification

- Product Name: Aluminum Foam RAL Color Customized Glasswool Exterior Wall Sandwich Panel In 64kg/M3 Of Density
- Color: RAL Color;Customized
- Sample: Free Sample
- Keyword: Glasswool
- Density: 64kg/m3
- Application: Building Warehouse Roofing Wall And Roof For Building
- Length: Customized
- Thickness: 50mm 75mm 80mm 100mm 125mm 150mm 200mm
- Highlight: **64kg/M3 Glasswool Sandwich Panel, Exterior Wall Glasswool Sandwich Panel,**

Aluminum Foam RAL Color Customized Glasswool Exterior Wall Sandwich Panel In 64kg/M3 Of Density

Product Description:



Our Glasswool Sandwich Panel product is available in a customized length, making it the perfect choice for any project regardless of its size. The modern design style of this product is perfect for any building, and it comes with a free sample to help you make the right decision.

The Glasswool Sandwich Panel product is an excellent choice for building warehouse roofing wall and roof for building. This product is made of fire-resistant glasswool acoustic light-weight thermal insulation, making it one of the best options for any building. Its foam color steel exterior wall and roof provide an exceptional level of durability and protection from the elements, ensuring that your building remains in top condition for years to come.

The Glasswool Sandwich Panel product also features glass fiber sandwich panels that are perfect for any building. These panels offer excellent thermal insulation and are incredibly lightweight, making them the perfect choice for any building that requires a high level of insulation.

In summary, our Glasswool Sandwich Panel product is the perfect choice for anyone looking for a high-quality building material. With its fire resistance, glasswool acoustic, lightweight, and thermal insulation properties, it is the ideal choice for any building. Its modern design style and free sample make it the perfect choice for any project, and its glass fiber sandwich panels provide excellent thermal insulation and are incredibly lightweight. So why wait? Invest in our Glasswool Sandwich Panel product today and experience the best in building materials!

Features:

Baodu's glass wool Sandwich Panel includes 3 layers : the external and internal is galvanized steel plate or aluminum plate , there are two kinds of core materials : one is pure glass wool panel without Pur or Pir edge, while the other is glass wool panel with Pur or Pir edge. Glass wool or mineral wool panels are sandwich panels whose sheets are associated solidly with glass wool protection. These panels are subsequently exceptionally versatile composite panels that have both burden-bearing and protecting capacities. The panel's protection is made of around 95 – 99 % liquid shake and dismantled into strings to acquire a sinewy structure. The strands are uniformly distributed to guarantee that the shear quality is kept steady.

Technical Parameters:

Allowable vertical load and thermal conductivity of BAODU new model fireproof glass wool roof sandwich panel (allowable deflection \leq L/200)								
S(mm)	W/m ² K	G(kg)	P=KN/m ²	0.60	0.80	1.00	1.20	1.50
50	0.69	12.95	L(m)	3.74	3.23	2.86	2.57	2.23
70	0.47	14.50	L(m)	5.01	4.34	3.86	3.48	3.05
100	0.36	16.04	L(m)	6.21	5.32	4.73	4.28	3.75
125	0.34	17.06	L(m)	7.11	6.31	5.77	4.93	4.32
150	0.33	19.14	L(m)	8.00	6.94	6.18	5.58	4.89
200	0.30	22.78	L(m)	9.79	8.56	7.63	6.88	6.00

Customization:



Support and Services:

The Glasswool Sandwich Panel product comes with comprehensive technical support and services that ensure quality and performance. These include:

Product installation guidance and supervision

Design and engineering support for customized solutions

Testing and analysis of product performance

Maintenance and repair services

Technical training for installers and contractors

24/7 customer support for any product-related queries or issues

Our team of experts is dedicated to providing you with the necessary assistance and support throughout the product lifecycle to ensure optimal performance and customer satisfaction.

Packing and Shipping:

Product Packaging:

The Glasswool Sandwich Panel will be packaged in high-quality, durable, and moisture-resistant materials to ensure the product's safety during transportation.

The panels will be stacked and secured with straps to prevent any movement during shipment.

The packaging will also include handling instructions and cautionary labels.

Shipping:

The Glasswool Sandwich Panel will be shipped via a trusted and reliable carrier to ensure on-time delivery.

Customers will be provided with a tracking number for their order to monitor the shipment's progress.

Shipment options such as standard or expedited delivery will also be available for customers to choose from.

PACKING & SHIPPING



FAQ



STRIVE TO SURPASS CUSTOMER'S EXPECTATIONS

Q1. Are you trading company of factory?

A1. We have our own factory so that we can provide the best price for you.

Q2. Where is your factory?

A2. Our factory is located in Yongqing Hebei Province which is only one

Q3. How is your production capacity of sandwich panel?

A3. Our sandwich panel production line is imported from Europe and we can produce 3000 square meters per day.

Q4. What is your advantages.

A4. As a high technology company in the construction material industry, we have our own technician team, most of whom have more than 10 years experience. And we also have the strict quality control in our production lines.

Q5. What is your payment term and delivery time?

A5. We accept the T/T or L/C. And the Ali trade assurance is also acceptable. As for the delivery time, we need make the production plan for each order. Usually, it will takes about 10 days after we confirm the order.

Q6. How about the sample order?

A6. We provide free samples , but you need pay the freight for it.

Q7. How about your After-sales policy?

A7. Baodu wants to provide the best products and service to each client. We will provide the online after-sales training. If necessary , your can visit our factory.



Baodu International Advanced Construction Material Co., Ltd.



+86 13717927965



chunlei.song@baodu.com



baodupanel.com

Room 1101, Building 6, Yard 9, Hongye Road, Daxing District, Beijing