



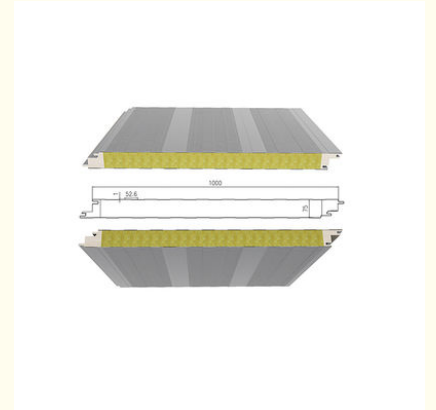
## 100mm Rockwool Sandwich Panel For Wall Building Warehouse Roofing Wall And Roof

Our Product Introduction

for more products please visit us on [baodupanel.com](http://baodupanel.com)

### Basic Information

- Place of Origin: Hebei,China
- Brand Name: BAODU
- Certification: CE
- Model Number: Rockwool Sandwich Panel
- Minimum Order Quantity: Discussible
- Price: \$10-12square meter
- Packaging Details: In general, for steel structure , we use the steel frame packing to keep goods not to be broken . For sandwich panel and color steel sheet, we use the plastic packing . If the clients need special packing will according to their requirements.
- Delivery Time: 15days
- Payment Terms: L/C, D/A, D/P, T/T, Western Union, MoneyGram
- Supply Ability: 5000 Square Meters per Day



### Product Specification

- Product Name: Rockwool Sandwich Panel For Wall Building Warehouse Roofing Wall And Roof
- Color: RAL Color;Customized
- Material: Rockwool,PU,Color Steel
- Waterproof: Yes
- MOQ: 300-500 Square Meters
- Width: 1000mm
- After-sale Service: Online Technical Support, Onsite Installation
- Application: Wall Building Warehouse Roofing Wall And Roof
- Steel Thickness: 0.4mm-0.8mm
- Keyword: Rockwool Sandwich Panel For Wall And Roof

• Highlight: 100mm rockwool sandwich panel

## Rockwool Sandwich Panel for Wall Building Warehouse Roofing Wall And Roof

### Product Description:

Rockwool Sandwich Panel is a high-performance insulation board that can effectively improve the thermal insulation performance of buildings. It is widely used in construction insulation, shop outdoor, and office. This product is made of high-quality Rockwool, with steel thickness of 0.4mm-0.8mm. It has excellent heat-insulation, waterproof and fireproof performance. It is certified by CE, which ensures its quality and safety.

### Features:

Product Name: Rockwool Sandwich Panel

Type: Rockwool Sandwich Panel With PU Edge

MOQ: 300-500 Square Meters

Advantage: Superior Fireproof-Insulation, Fire Proof, Light Weight & Easy To Install, Fireproof, Innovative Technology

Length: Customized

Material: Rockwool, PU, Color Steel

Keywords: Rockwool Sandwich Panels, Rockwool Insulated Panels, Rockwool Composite Panels, PU Edge, Superior Fireproof, Light Weight, Easy To Install, Innovative Technology, Fireproof Insulation, Customized Length, Color Steel

### Technical Parameters:

Technical parameters of BAODU new model fireproof sandwich panel								
Allowable vertical load and thermal conductivity of BAODU new model fireproof rockwool roof sandwich panel (allowable deflection $f \leq L/200$ )								
S(mm)	W/m <sup>2</sup> K	G(kg)	P=KN/m <sup>2</sup>	0.60	0.80	1.00	1.20	1.50
50	0.75	15.53	L(m)	3.66	3.13	2.75	2.46	2.12
70	0.53	18.37	L(m)	4.90	4.22	3.73	3.35	2.91
100	0.41	21.21	L(m)	5.99	5.17	4.58	4.12	3.59
125	0.36	24.05	L(m)	6.91	5.96	5.28	4.79	4.14
150	0.31	26.88	L(m)	7.82	6.75	5.98	5.37	4.68
200	0.23	22.78	L(m)	9.65	8.33	7.38	6.62	5.77
Allowable vertical load and thermal conductivity of BAODU new model fireproof glasswool roof sandwich panel (allowable deflection $f \leq L/200$ )								
S(mm)	W/m <sup>2</sup> K	G(kg)	P=KN/m <sup>2</sup>	0.60	0.80	1.00	1.20	1.50
50	0.69	12.95	L(m)	3.74	3.23	2.86	2.57	2.23
70	0.47	14.50	L(m)	5.01	4.34	3.86	3.48	3.05
100	0.36	16.04	L(m)	6.21	5.32	4.73	4.28	3.75
125	0.34	17.06	L(m)	7.11	6.31	5.77	4.93	4.32
150	0.33	19.14	L(m)	8.00	6.94	6.18	5.58	4.89
200	0.30	22.78	L(m)	9.79	8.56	7.63	6.88	6.00

### Applications:

BAODU's Rockwool Sandwich Panel is the ideal choice for wall building, warehouse roofing and other roofing applications. It features a unique combination of heat insulation and sound insulation properties, and is made from high quality rockwool insulated board with PU edge.



## Advantages:

### Easy assembly

The simplicity of baodu anels, together faster assembly than any other cladding solution.

### Eco-friendly

Each unit of energy consumed in the manufacturing process saves the equivalent of 25 units when in use.

### Air-tightness and water-tightness

The surfaces of baodu panels are waterproof and air-tight.baodu mineral wool is water resistant thanks to its waterrepellent qualities.

### Acoustics

The elasticity of their open structure gives the panels a high capacity to absorb the acoustic energy produced by noise and avoids the coupling effect of stationary sound waves.

### Fire and flame resistance

Being inorganic the panels do not burn nor produce smoke. In addition, they maintain their thermal insulation capacity even at high temperatures.

### Hygiene

Mineral wools are inert elements which do not allow the growth of microorganisms nor insects. They do not serve as insulation for rodents and are nonbiodegradable.

## Support and Services:

Technical Support & Service for Rockwool Sandwich Panel

We provide comprehensive technical support and service for Rockwool Sandwich Panel. Our expert technical team can help you understand the product features, installation methods and any other related topics.

We provide technical assistance for the following:

Product specification and selection

Installation advice

Troubleshooting

Maintenance and repair

Product updates

We are also available for on-site visits and inspections to ensure that your Rockwool Sandwich Panel installation is up to code and performing as expected.

If you have any questions or concerns about Rockwool Sandwich Panel, please contact us and we will be happy to help.

## Packing and Shipping:



## FAQ:

Q: What is BAODU Rockwool Sandwich Panel?

A: BAODU Rockwool Sandwich Panel is a kind of composite building material consisting of two pre-painted steel sheets bonded to a rockwool core.

Q: Where is BAODU Rockwool Sandwich Panel made?

A: BAODU Rockwool Sandwich Panel is made in Hebei,China.

Q: What certifications does BAODU Rockwool Sandwich Panel have?

A: BAODU Rockwool Sandwich Panel has CE certification.

Q: What is the minimum order quantity for BAODU Rockwool Sandwich Panel?

A: The minimum order quantity for BAODU Rockwool Sandwich Panel is discussible.

Q: What payment terms does BAODU Rockwool Sandwich Panel accept?

A: BAODU Rockwool Sandwich Panel accepts payment terms such as L/C, D/A, D/P, T/T, Western Union, MoneyGram.



**Baodu International Advanced Construction Material Co., Ltd.**



+86 13717927965



chunlei.song@baodu.com



baodupanel.com

Room 1101, Building 6, Yard 9, Hongye Road, Daxing District, Beijing