



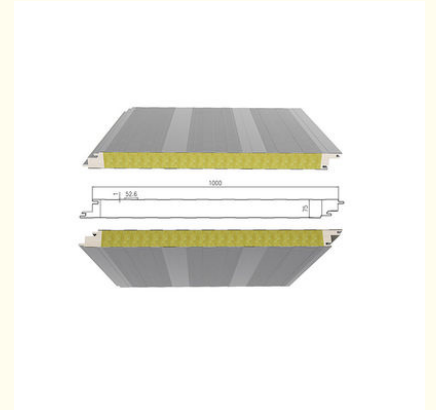
Outdoor Wall Fireproof Rockwool Sandwich Panel For Construction Insulation Shop

Our Product Introduction

for more products please visit us on baodupanel.com

Basic Information

- Place of Origin: Hebei,China
- Brand Name: BAODU
- Certification: CE
- Model Number: Rockwool Sandwich Panel
- Minimum Order Quantity: 100square meters
- Price: Reasonable
- Packaging Details: In general, for steel structure , we use the steel frame packing to keep goods not to be broken . For sandwich panel and color steel sheet, we use the plastic packing . If the clients need special packing will according to their requirements.
- Delivery Time: 15days
- Payment Terms: L/C, D/A, D/P, T/T, Western Union, MoneyGram
- Supply Ability: 5000 Square Meters per Day



Product Specification

- Product Name: Fireproof Rockwool Sandwich Panel For Construction Insulation Shop Outdoor Office Wall Building
- Thickness: 50mm-200mm
- Width: 950mm,960mm,1000mm
- Waterproof: Yes
- Soundproof: Yes
- Advantage: Superior Fireproof-insulation Fire Proof Light Weight&Easy To Install Fireproof Innovative Technology
- Length: Customized
- Steel Thickness: 0.4mm-0.8mm
- Heat-insulation: Yes
- Color: Customized

Fireproof Rockwool Sandwich Panel for Construction Insulation Shop Outdoor Office Wall Building

Product Description:

Our rockwool with polyurethane sealing sandwich panel have three layers, two side steel plate, plate thickness can be 0.4-0.8mm, inside is rockwool with Polyurethane sealing, polyurethane sealing will make the rockwool sandwich panel more strength. The rockwool with polyurethane sealing sandwich panel length can be customized according to your need.

Features:

- Fire resistance
- Sound insulation
- High coefficient of the thermal insulation
- Fast speed of the construction
- Energy efficiency - that enables us to apply cost-effective solutions while keeping the preferred temperature level in the building

Applications:

1. Industrial Facilities
2. Commercial Building
3. Social Construct
4. Power Plants
5. Agricultural objects
6. Sport halls

Technical Parameters:

Technical parameters of BAODU new model fireproof sandwich panel									
Allowable vertical load and thermal conductivity of BAODU new model fireproof rockwool roof sandwich panel (allowable deflection $f \leq L/200$)									
S(mm)	W/m ² K	G(kg)	P=KN/m ²	0.60	0.80	1.00	1.20	1.50	
50	0.75	15.53	L(m)	3.66	3.13	2.75	2.46	2.12	
70	0.53	18.37	L(m)	4.90	4.22	3.73	3.35	2.91	
100	0.41	21.21	L(m)	5.99	5.17	4.58	4.12	3.59	
125	0.36	24.05	L(m)	6.91	5.96	5.28	4.79	4.14	
150	0.31	26.88	L(m)	7.82	6.75	5.98	5.37	4.68	
200	0.23	22.78	L(m)	9.65	8.33	7.38	6.62	5.77	
Allowable vertical load and thermal conductivity of BAODU new model fireproof glasswool roof sandwich panel (allowable deflection $f \leq L/200$)									
S(mm)	W/m ² K	G(kg)	P=KN/m ²	0.60	0.80	1.00	1.20	1.50	
50	0.69	12.95	L(m)	3.74	3.23	2.86	2.57	2.23	
70	0.47	14.50	L(m)	5.01	4.34	3.86	3.48	3.05	
100	0.36	16.04	L(m)	6.21	5.32	4.73	4.28	3.75	
125	0.34	17.06	L(m)	7.11	6.31	5.77	4.93	4.32	
150	0.33	19.14	L(m)	8.00	6.94	6.18	5.58	4.89	
200	0.30	22.78	L(m)	9.79	8.56	7.63	6.88	6.00	

Support and Services:

Rockwool Sandwich Panel Technical Support and Service

Rockwool Sandwich Panel provides all-round technical support and service to guarantee the highest quality of products. Our technicians and engineers are ready to answer any questions and provide advice on product selection, installation and maintenance.

Technical Support

We offer full technical support and advice for our Rockwool Sandwich Panel products. Our team of experienced professionals is available by phone, email or online chat to answer any questions you may have about product selection, installation and maintenance.

Service

We offer comprehensive service for our Rockwool Sandwich Panel products. Our team of experienced technicians and engineers are available to provide advice on product selection, installation and maintenance. In addition, we can provide on-site service when needed.

Packing and Shipping:



Rockwool Sandwich Panel Packaging and Shipping:

The panels are wrapped in plastic film, bundled and strapped.

The panels are then loaded into the container.

The container is then closed and sealed with a seal.

The container is then transported to the destination.

FAQ:

Q1: What is Rockwool Sandwich Panel?

A1: Rockwool Sandwich Panel is a kind of thermal insulation and fire resistance building material, which consists of rock wool core and two layers of pre-painted steel sheets. It is produced by BAODU with CE certification, model number Rockwool Sandwich Panel.

Q2: Where is the place of origin?

A2: Rockwool Sandwich Panel is produced in Hebei, China.

Q3: What is the minimum order quantity?

A3: The minimum order quantity is discussible.

Q4: What is the price?

A4: The price of Rockwool Sandwich Panel is reasonable.

Q5: What are the payment terms?

A5: The payment terms include L/C, D/A, D/P, T/T, Western Union, MoneyGram.



Baodu International Advanced Construction Material Co., Ltd.

+86 13717927965

chunlei.song@baodu.com

baodupanel.com

Room 1101, Building 6, Yard 9, Hongye Road, Daxing District, Beijing